

Products > Jewel Bearings > Cup Jewel Bearings > C2.46D

Cup Jewel Bearings - C2.46D

Specifications

Model	C2.46D
Outside Diameter	.097/.099"
Thickness	.046/.050"
Radius	R1 .052/.055" R2 .022/.024"
Depth	.015/.017"
Type	Double Cup JewelCup



Custom Options Available

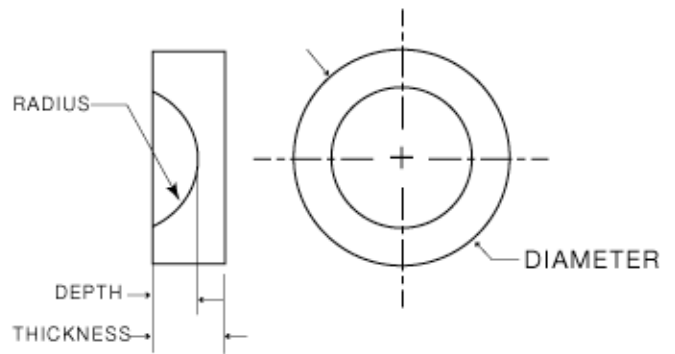
Description

A cup jewel is generally used with a semi-spherical pivot or in a design that fits a ball bearing between two cup jewels. Cup jewels are widely used

for vertical shaft applications.

Typical Applications

- Meters
- Compasses
- Heat Monitors



NOT SEEING EXACTLY WHAT YOU NEED?

We at the Swiss Jewel Company specialize in creating a wide range of custom optical components and custom mechanical components including a variety of shapes - from internal holes and tapers to outer flanges, angles and surface finishes. Contact us and we will consult with you to create a custom component that meets all of your specifications.